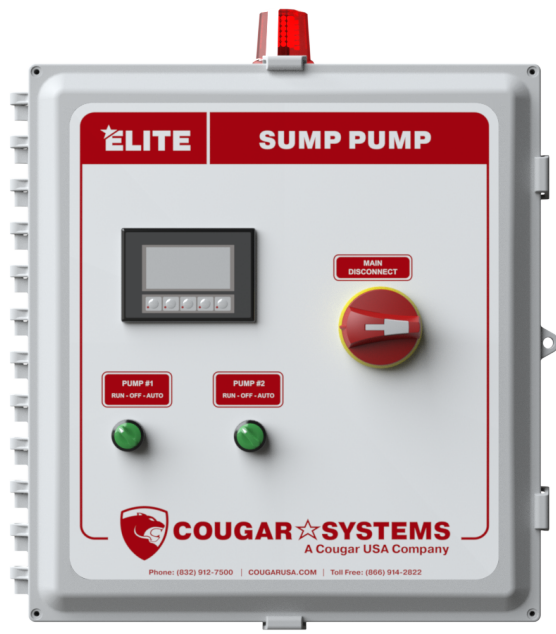


SUBMITTAL

Elite Sump

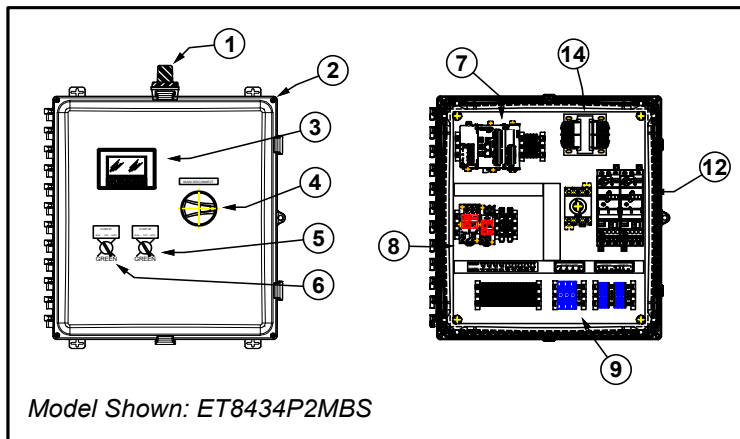


FEATURES

- Type 4X Construction withstands outdoor installations and prevents corrosion
- Lockable hinged front enclosure door
- Thru-the Door Lockable Main Disconnect
- Combination Circuit Breaker/Overload/Contactor motor starter
- Programable Controller
- Touchscreen HMI Display
 - Start-Up Float Test
 - Multi-Float Configuration
 - Lead Pump Selection
 - Max Pump Run Time Warning
 - Lag Pump Cycle Count Warning
 - Alarm Silence Button
 - Pump Elapsed Run Time Meter
- Pump Hand-On-Auto selector switch with green pump run lights
- High Temp Motor Protection Circuit
- Pump Seal Failure Monitoring
- Control voltage stepdown transformer (3 Phase Units)
- 24 VDC power supply
- 360° visible red alarm beacon
- 95db Piezo alarm buzzer
- Dry contact remote alarm interface
- Internal wiring numbered to corresponding wiring diagram
- Numbered screw type field termination block
- Field wiring diagram and installation instructions included

PANEL COMPONENTS

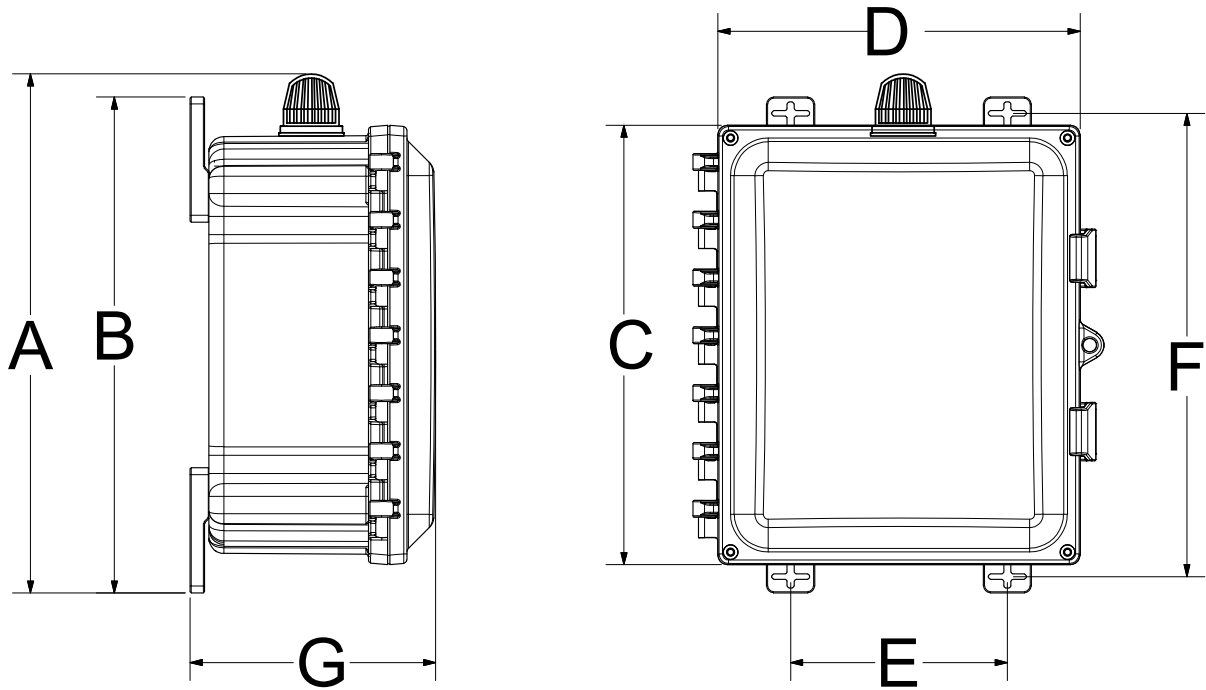
1. Alarm Beacon
2. TYPE 4X Enclosure
3. Touchscreen Display
4. Main Disconnect Thru-Door
5. Pump Run Indicator
6. Pump Selector switch
7. Programmable Logic Controller
8. Control Relay
9. Terminal Strip
10. Seal Fail Monitoring (option)
11. Moisture Switch Monitoring (option)
12. Alarm Horn
13. Pump Contactor
14. Motor Starter Combo Circuit Breaker/Overload (3Phase Only)
15. Alternator (Duplex only)
16. Control Transformer (3Phase Only)



ENCLOSURE DIMENSIONS

SIMPLEX/DUPLEX - 18x16x10

| A | B | C | D | E | F | G |
|-------|-------|-------|-------|-------|-------|-------|
| 21.45 | 20.88 | 19.41 | 17.41 | 13.63 | 20.03 | 11.86 |





Panel Details

| Voltage | |
|---------|-----------------------|
| (11) | 120 1 Phase |
| (12) | 208-240 1 Phase |
| (32) | 208-230 3 Phase |
| (34) | 460-480 3 Phase |
| (36) | 600vac - 3 Phase |
| (52) | Dual 208/240vac - 3Ph |
| (54) | Dual 460/480vac - 3Ph |
| (56) | Dual 600vac - 3Ph |

| Type | |
|------|----------------------|
| (P1) | Simplex |
| (P2) | Duplex |
| (P3) | Triplex |
| | Multi Pumps - Custom |

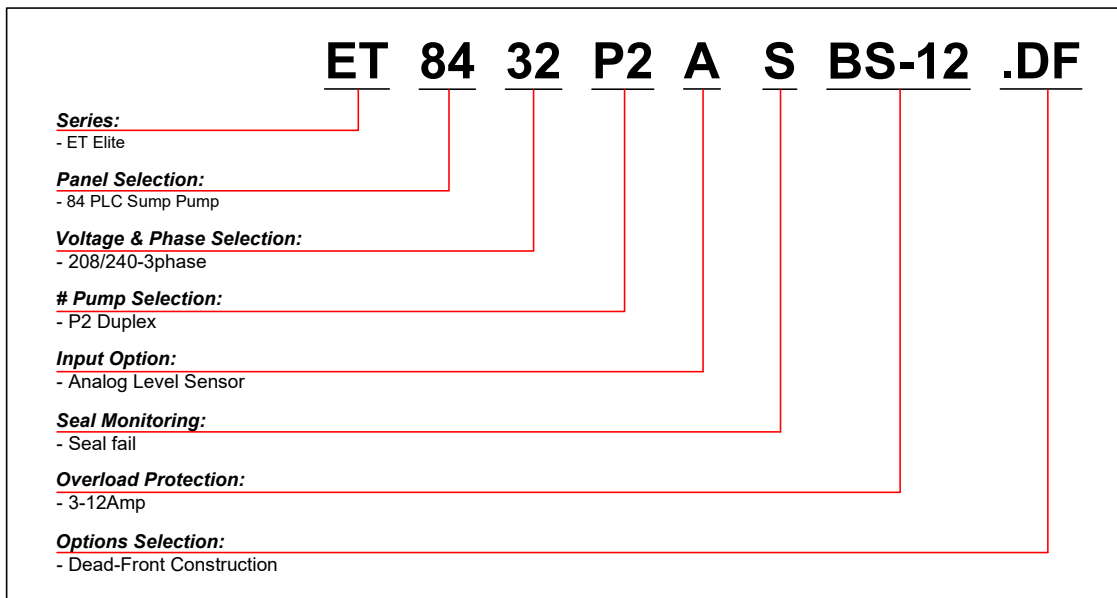
| Seal Monitor | |
|--------------|-----------|
| (S) | Seal Fail |
| (M) | Moisture |
| (U) | Universal |

| 1PH Amperage | |
|--------------|----------|
| (B) | 0-15 Amp |

| 3PH Amperage | |
|--------------|------------------------|
| (BS-5) | 1.25 - 5 Amp |
| (BS-12) | 3 - 12 Amp |
| (BS-32) | 8 - 32 Amp |
| | High Amperage - Custom |

| Options | |
|---------|----------------------------|
| (DF) | Dead-Front Construction |
| (IS) | Intrinsically Safe Circuit |
| (BI) | BACnet interface |
| (6K) | 65K SCCR |
| (SS) | Stainless Steel |
| (A) | Analog Level Sensor |
| | UL508A & UL698A listed |

PANEL SELECTION BREAKDOWN



MOTOR CONTROLS

- Standard Motor Controls Incoming Power Service of 115/120vac - 1 phase. Simplex and Duplex setup (Figure 1). Adder Options Available.

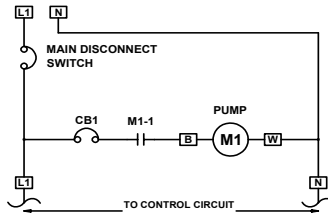
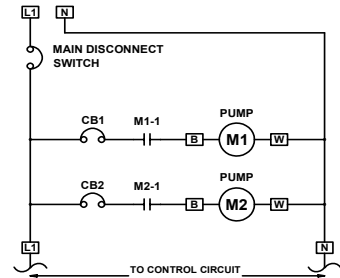


Figure 1



- Standard Motor Controls Incoming Power Service of 200/240vac - 1 phase. Simplex and Duplex setup (Figure 1). Adder Options Available.

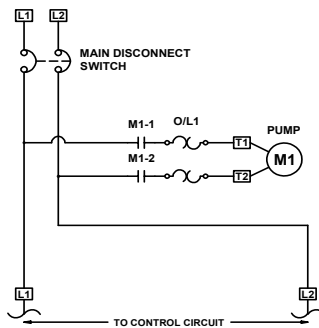
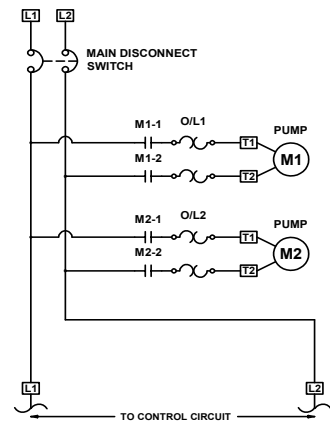


Figure 2



- Standard Motor Controls Incoming Power Service of 200/240/480vac - 3 phase. Simplex and Duplex setup (Figure 1). Adder Options Available. 65K SCCR rating option to include fusible Disconnect Switch.

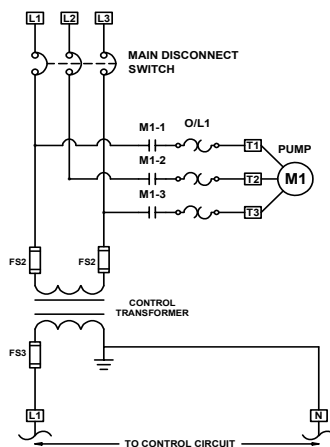
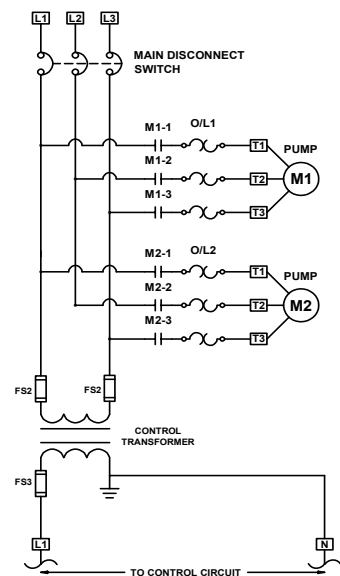


Figure 3

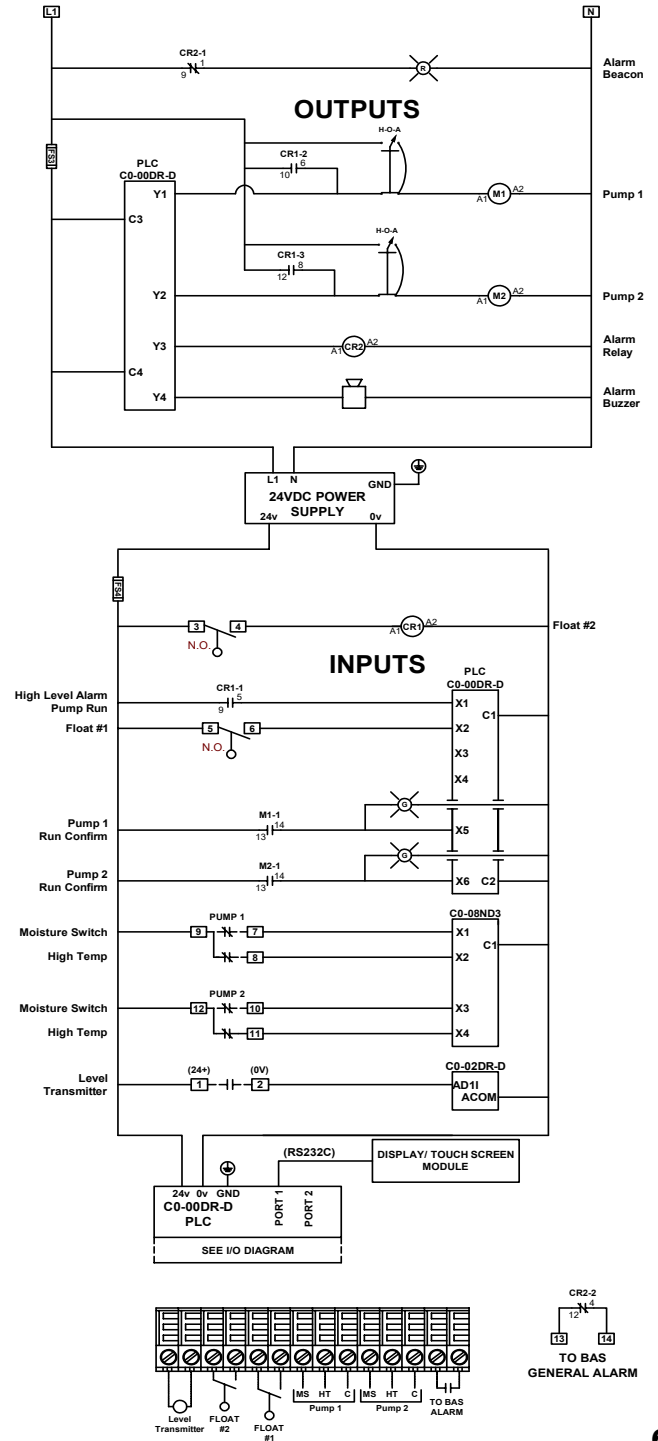
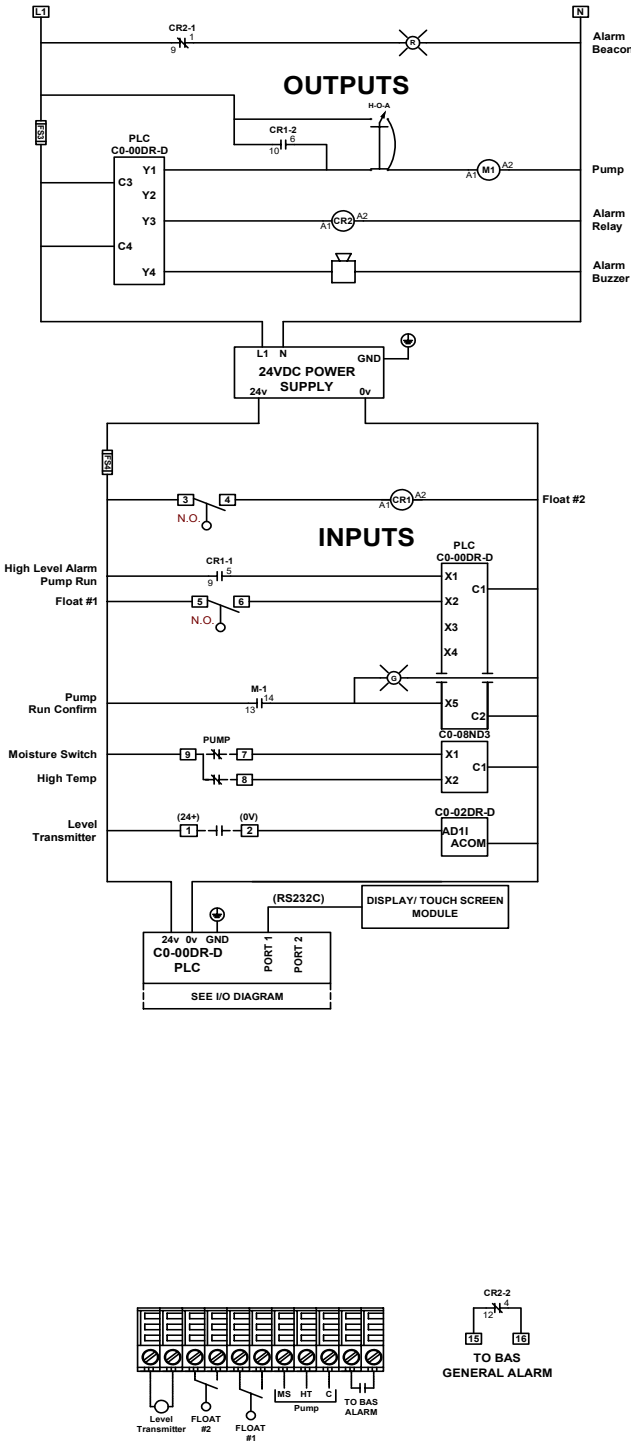




CONTROLS DIAGRAM

Moisture Switch Analog Sensor

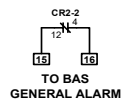
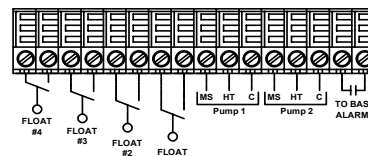
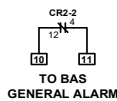
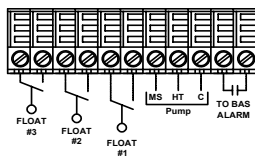
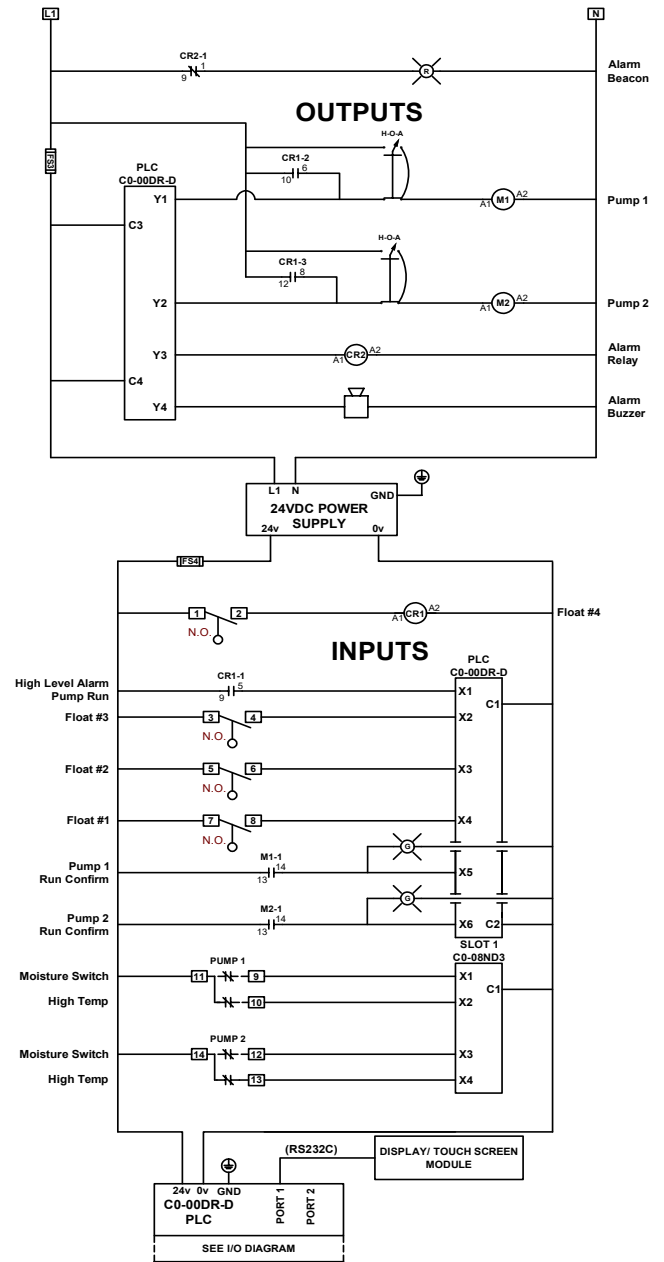
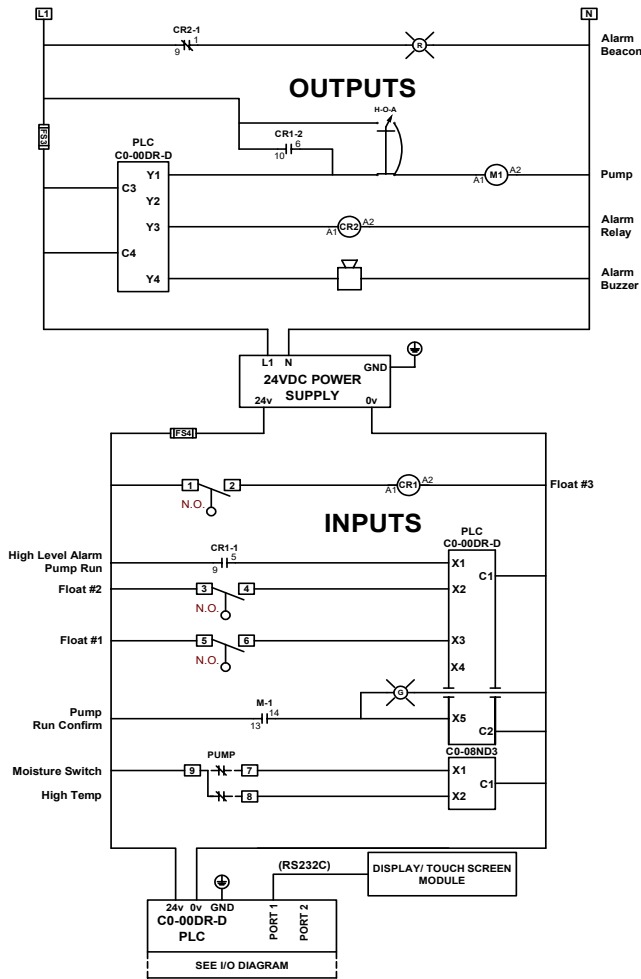
- Standard Analog sensor based operation with Moisture switch option. Controls wiring for Simplex and Duplex system. Analog Sensor with Back-up High level and Dry run configuration will come as standard for both simplex & Duplex system. Please refer to *Float Detail* page in the IOM.



CONTROLS DIAGRAM

Moisture Switch Floats

Standard Float based operation with Moisture switch option. Controls wiring for Simplex and Duplex system. 4-Float configuration will come as standard for Duplex system. 3-Float configuration will come as standard for Simplex system. Please refer to *Float Detail* page in the IOM.

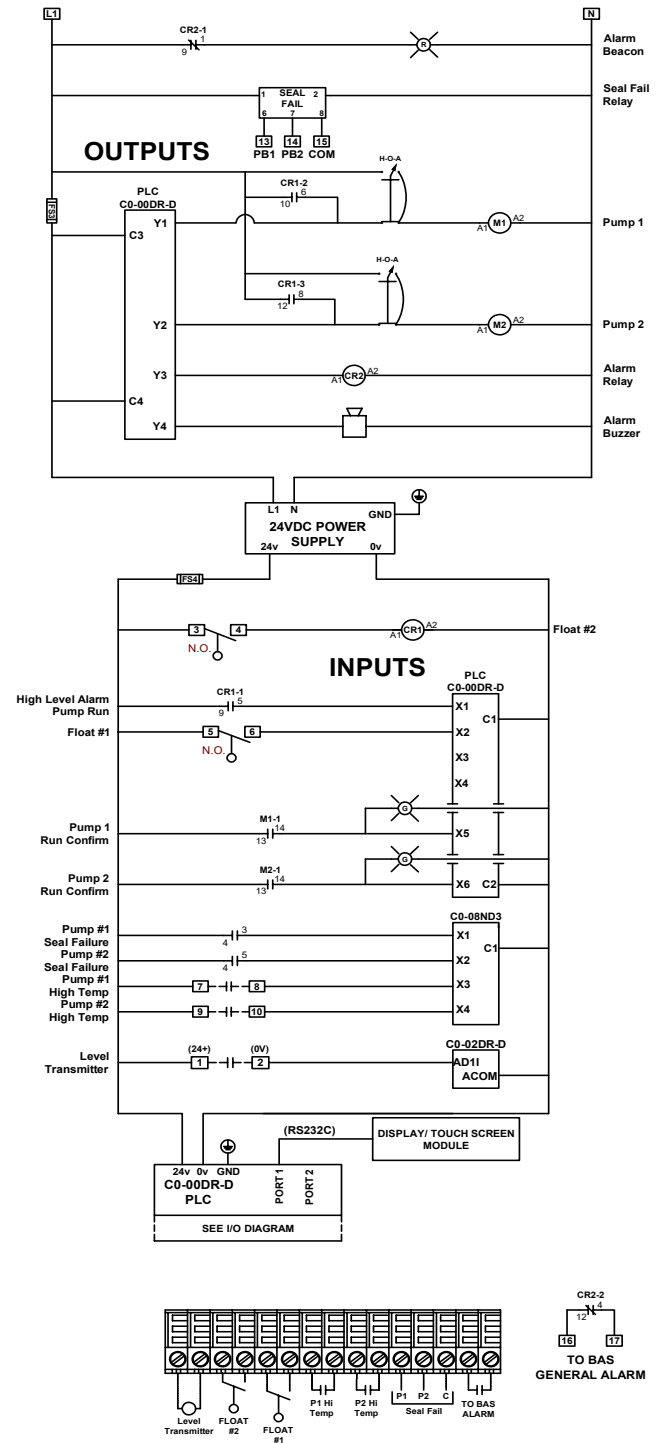
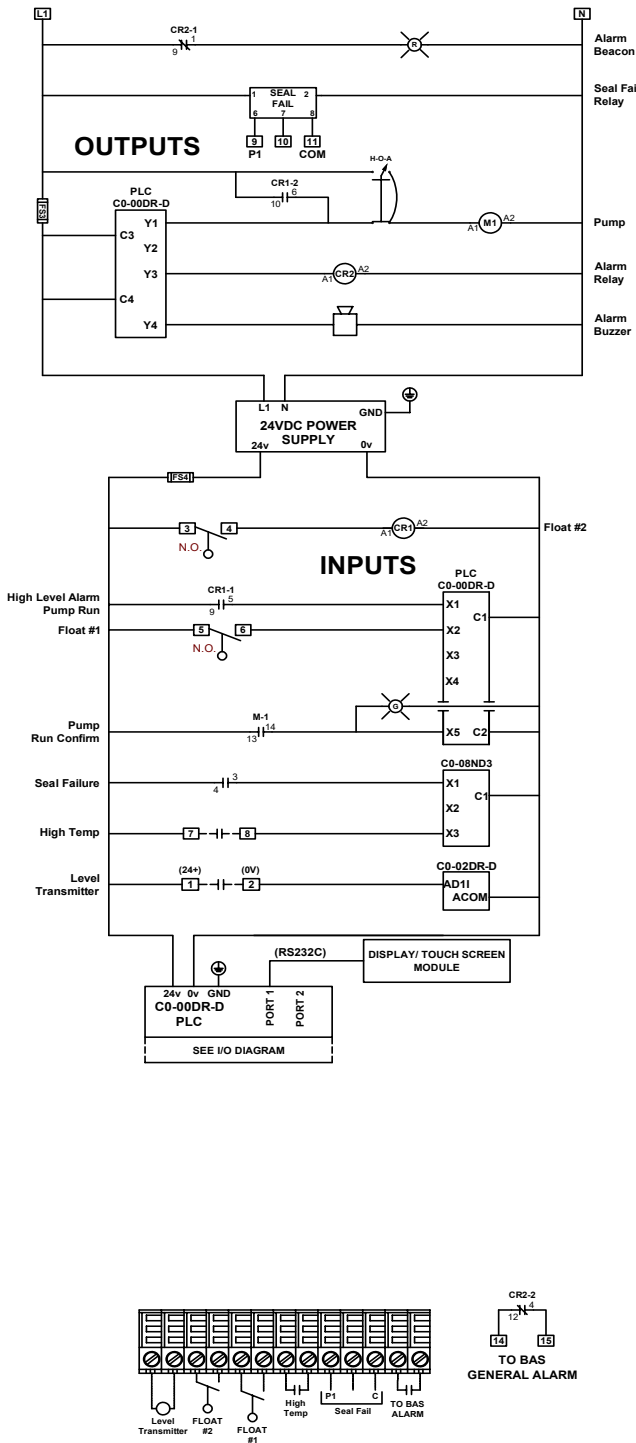




CONTROLS DIAGRAM

Seal Fail Probe Analog Sensor

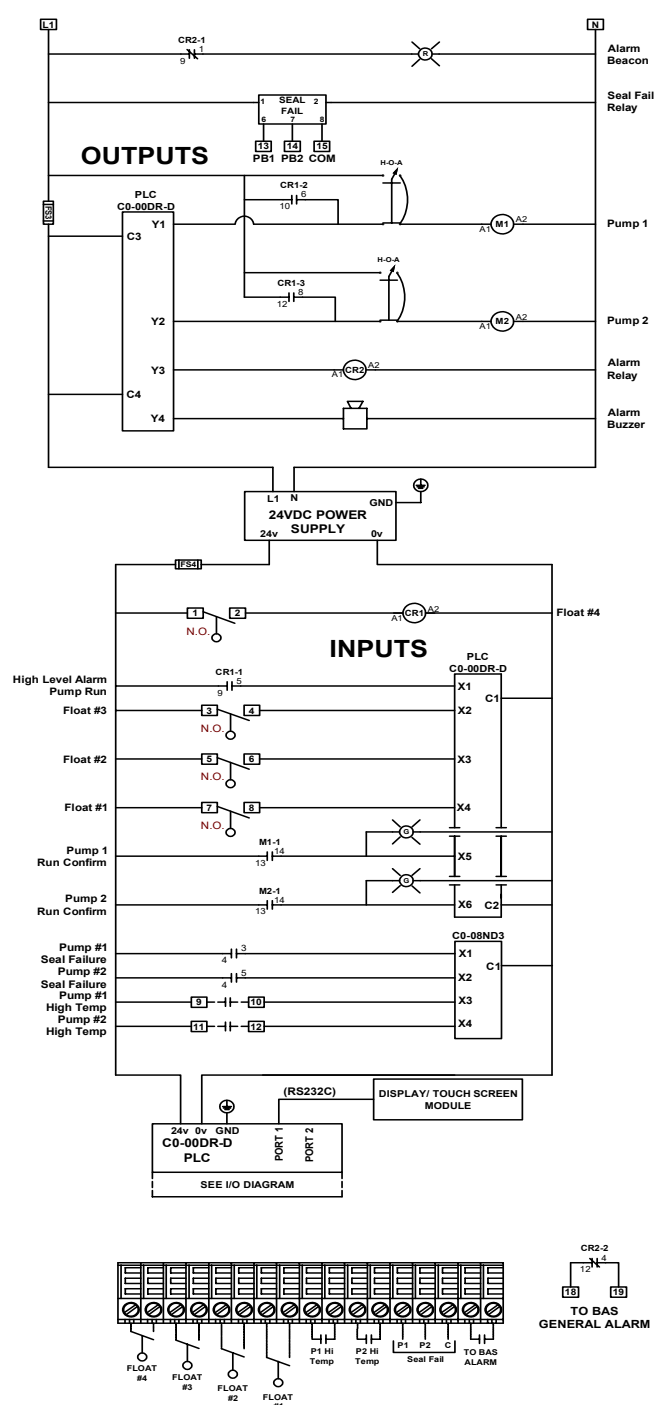
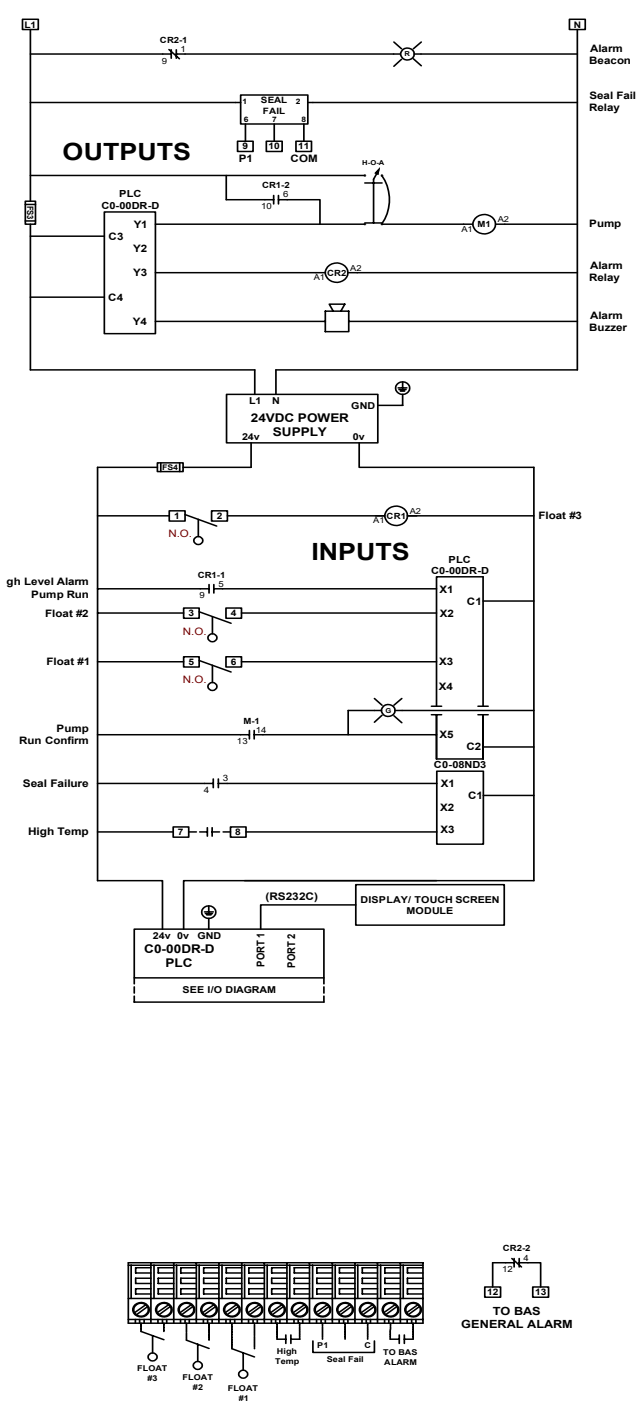
- Standard Analog sensor based operation with Seal Fail probe option. Controls wiring for Simplex and Duplex system. Analog Sensor with Back-up High level and Dry run configuration will come as standard for both simplex & Duplex system. Please refer to *Float Detail* page in the IOM.



CONTROLS DIAGRAM

Seal Fail Probe Floats

- Standard Float based operation with Seal Fail probe option. Controls wiring for Simplex and Duplex system. 4-Float configuration will come as standard for Duplex system. 3-Float configuration will come as standard for Simplex system. Please refer to *Float Detail* page in the IOM.





CONTROLS DIAGRAM

Universal Analog Sensor

- Standard Analog sensor based operation with both Moisture switch and Seal Fail probe option. Controls wiring for Duplex system. Analog Sensor with Back-up High level and Dry run configuration will come as standard for Duplex system. Please refer to Float Detail page in the IOM.

